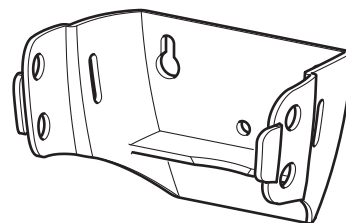
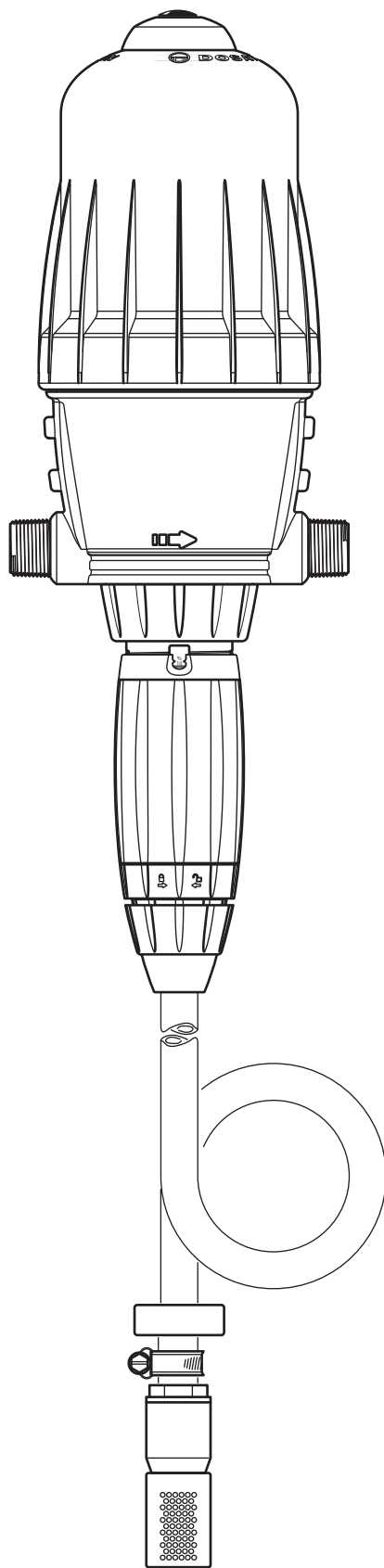


D3RE10

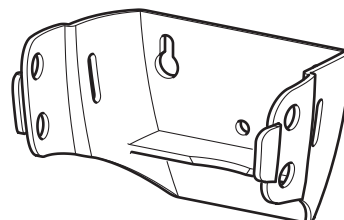
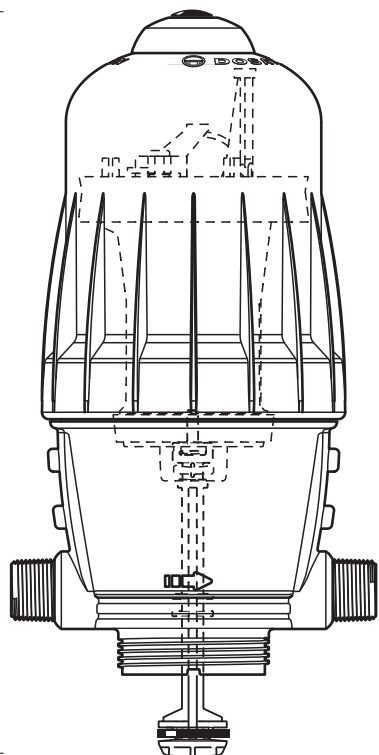
3 m³/h - 1 - 10%
14 GPM - 1:100 - 1:10
0.5 - 6 bar
7 - 85 psi



D3RE10

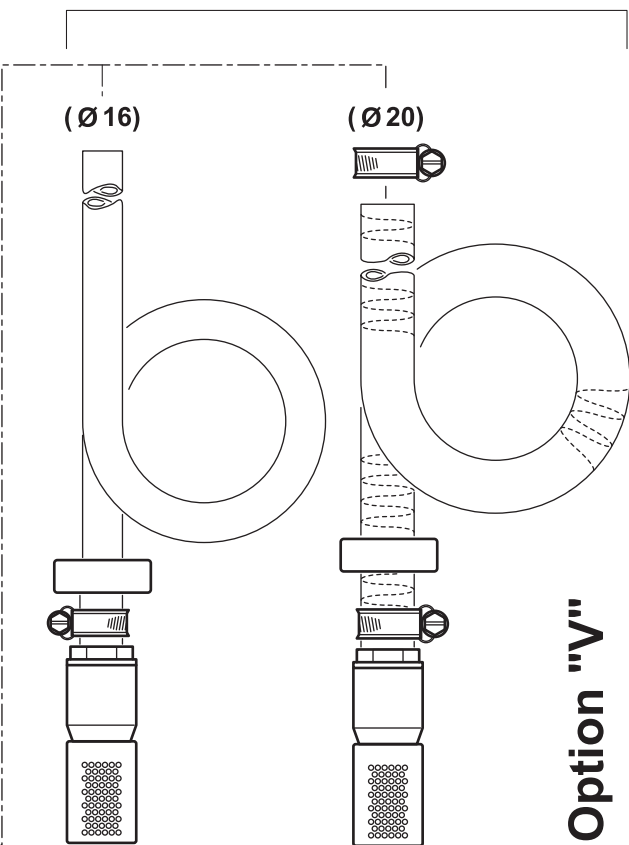
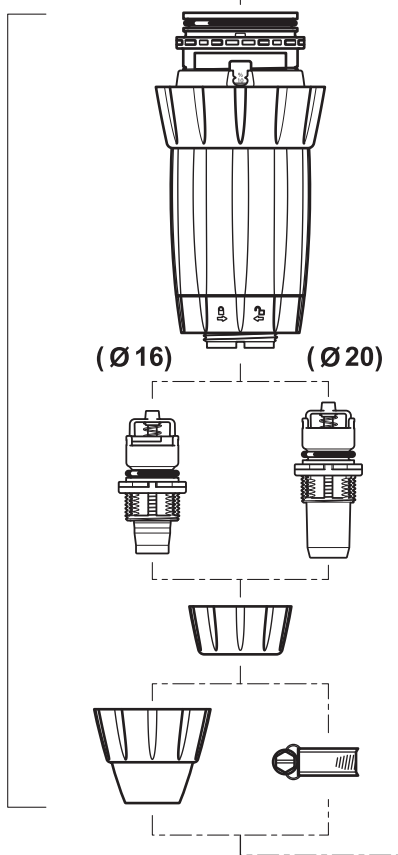
3 m³/h - 1 - 10%
14 GPM - 1:100 - 1:10
0.5 - 6 bar
7 - 85 psi

C+M



A

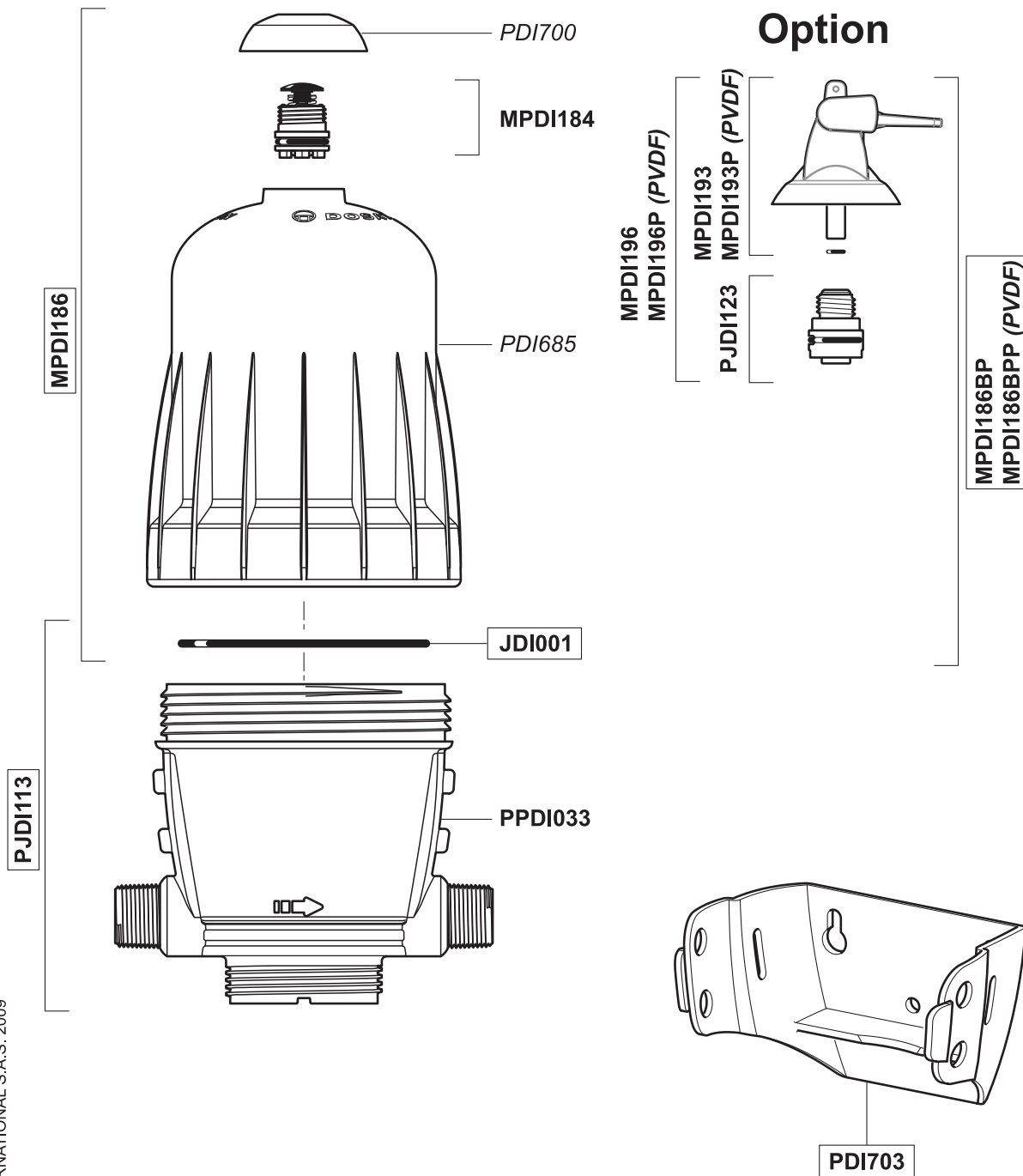
D



Option "V"

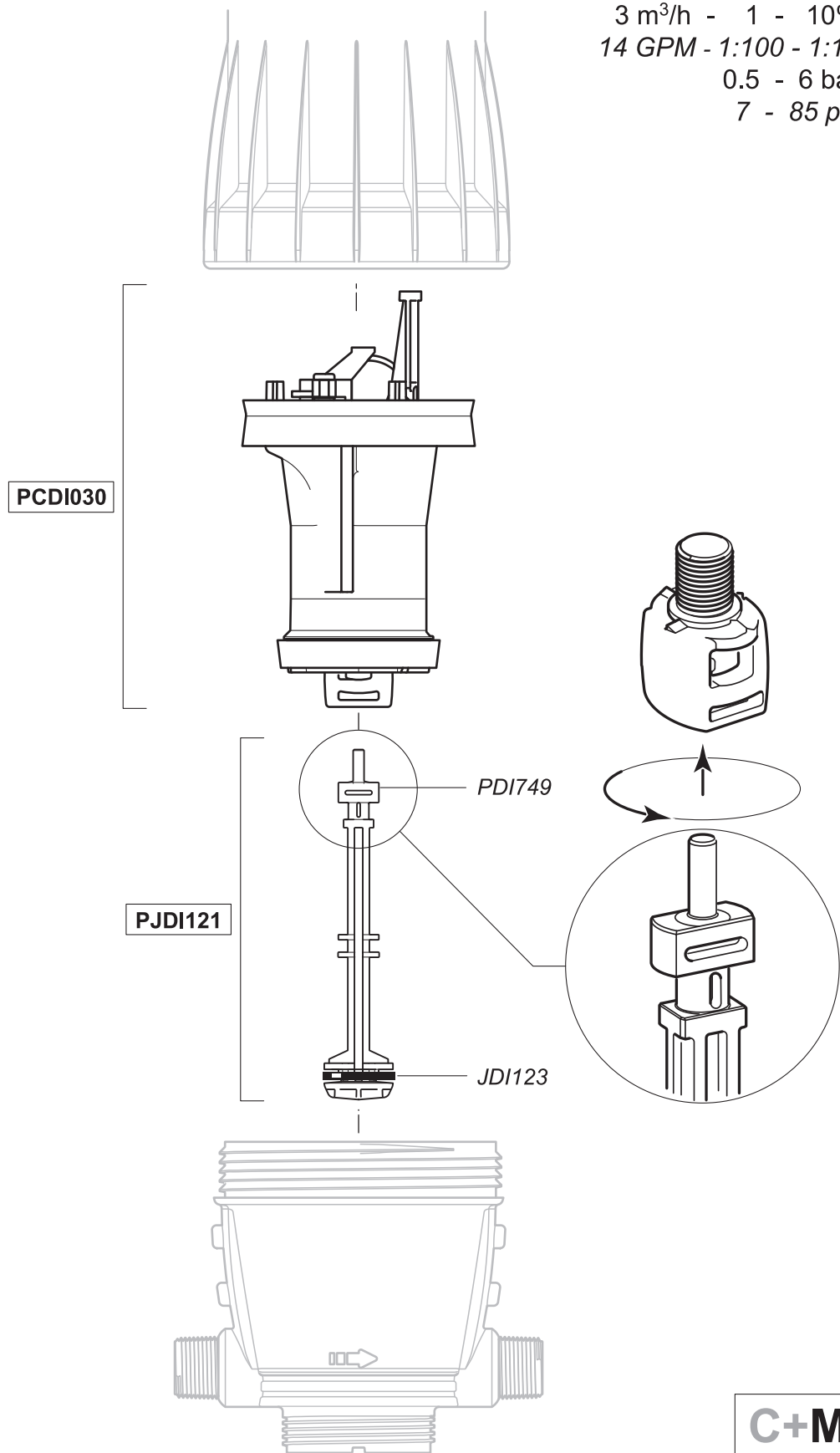
D3RE10

3 m³/h - 0.5 - 5%
 14 GPM - 1:200 - 1:20
 0.3 - 6 bar
 4.3 - 85 psi



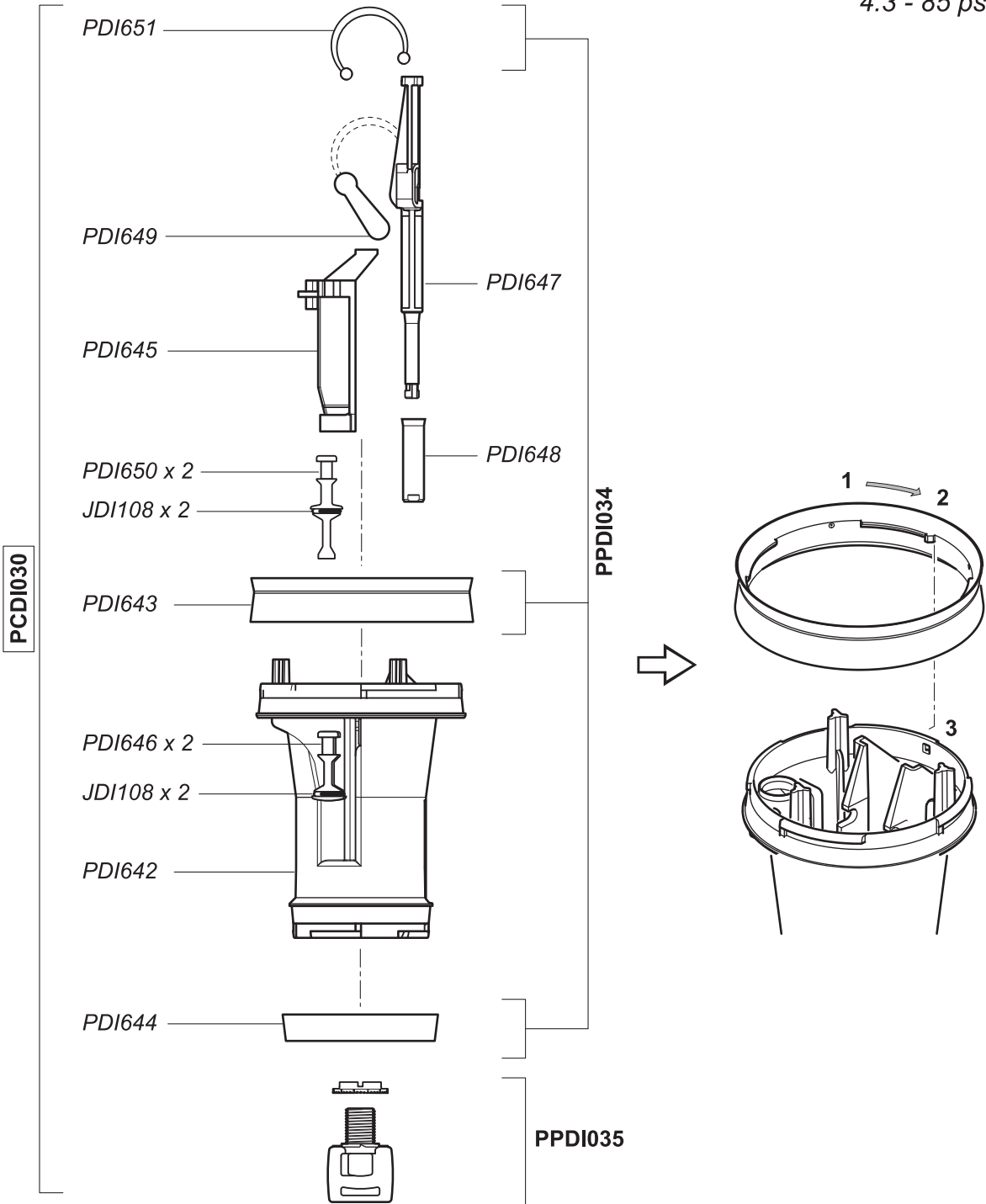
D3RE10

3 m³/h - 1 - 10%
14 GPM - 1:100 - 1:10
0.5 - 6 bar
7 - 85 psi



D3RE10

3 m³/h - 0.5 - 5%
 14 GPM - 1:200 - 1:20
 0.3 - 6 bar
 4.3 - 85 psi

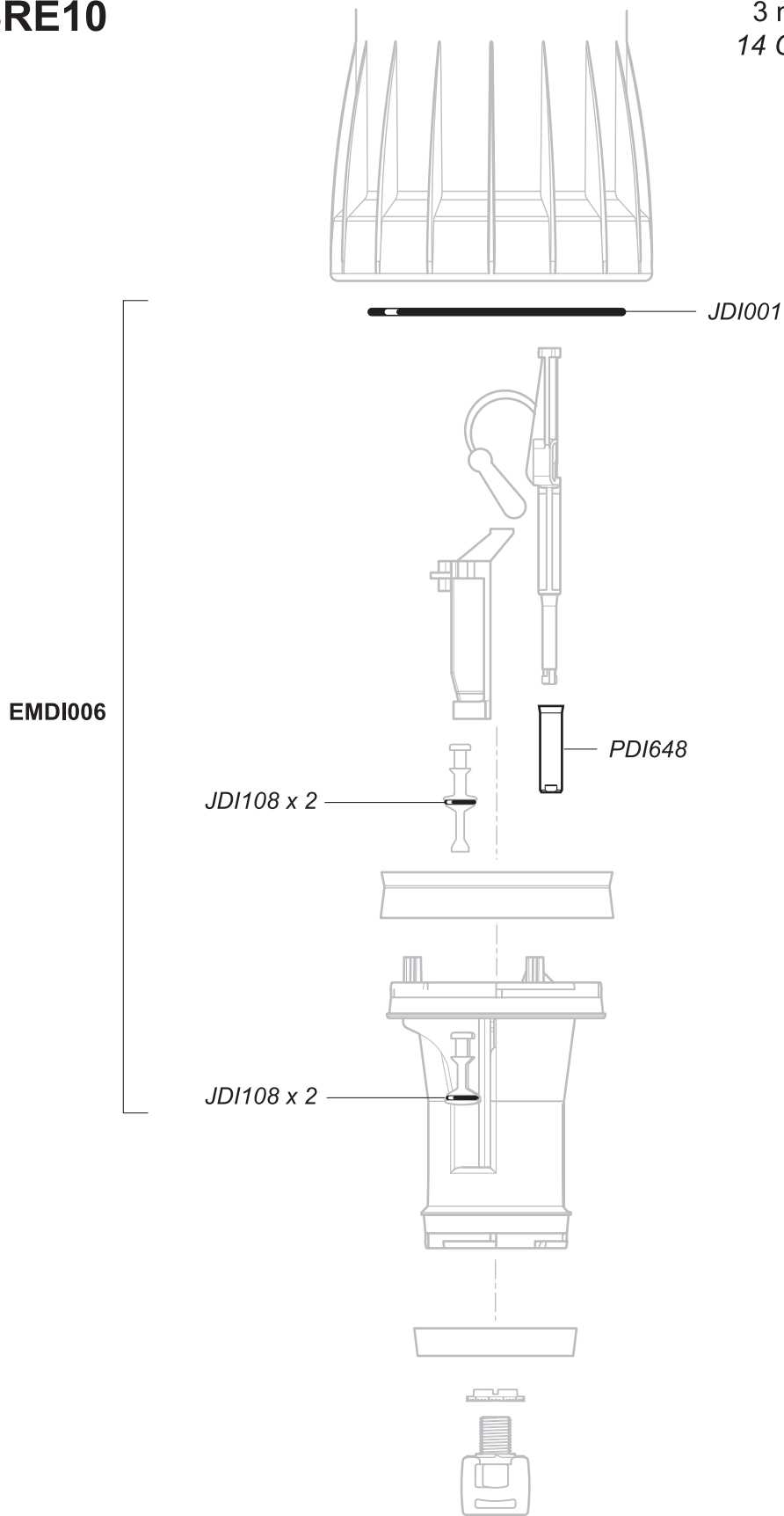


© DOSATRON INTERNATIONAL S.A.S. 2009
 D3RE10/0409/D5



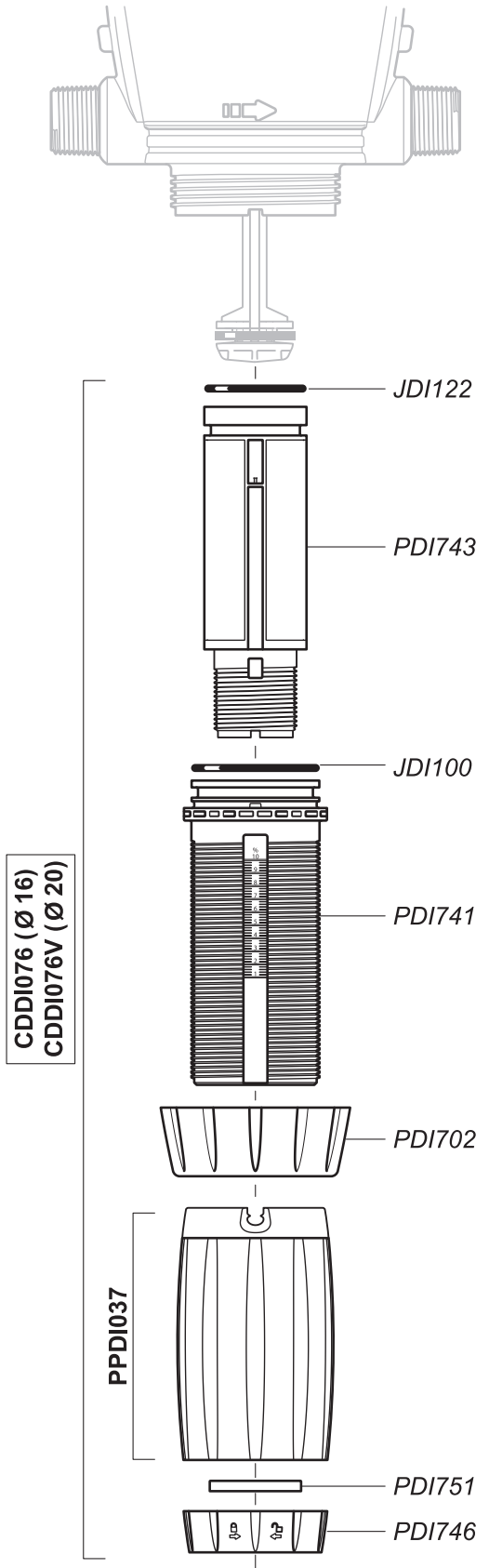
D3RE10

3 m³/h - 1 - 10%
14 GPM - 1:100 - 1:10
0.5 - 6 bar
7 - 85 psi

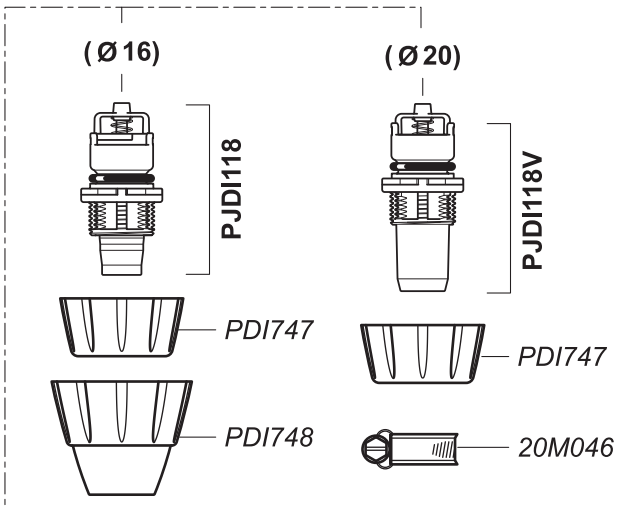


D3RE10

3 m³/h - 1 - 10%
 14 GPM - 1:100 - 1:10
 0.5 - 6 bar
 7 - 85 psi



Option "V"

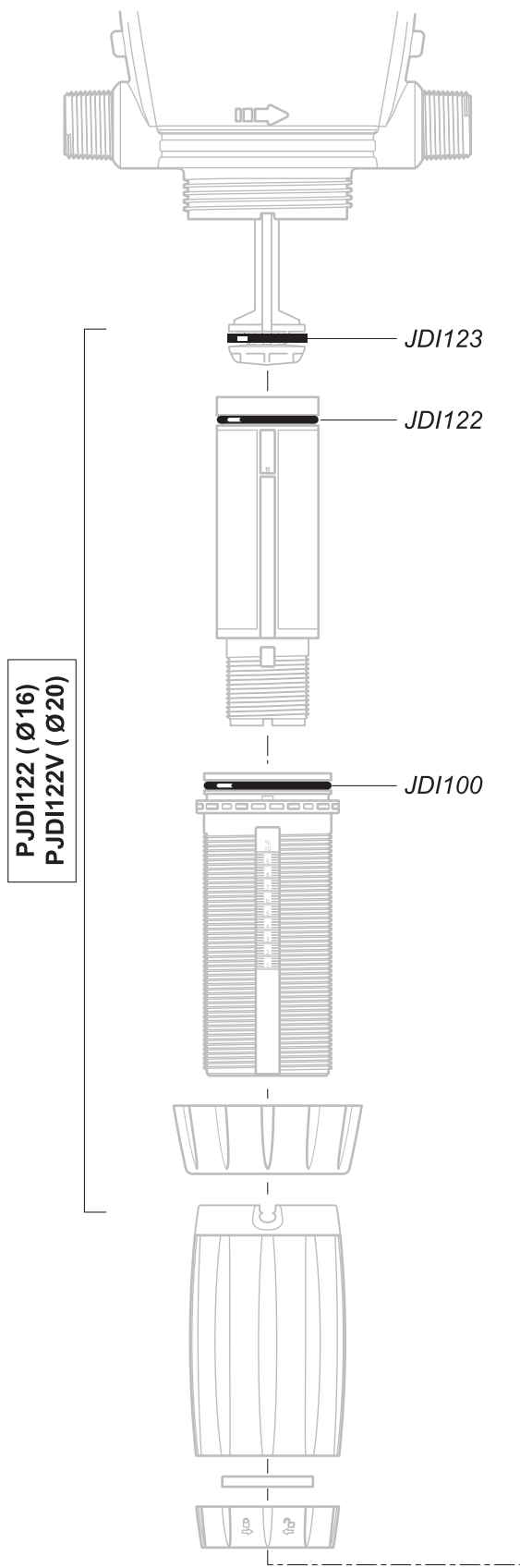


© DOSATRON INTERNATIONAL S.A.S. 2009
 D3RE10/0409/D7

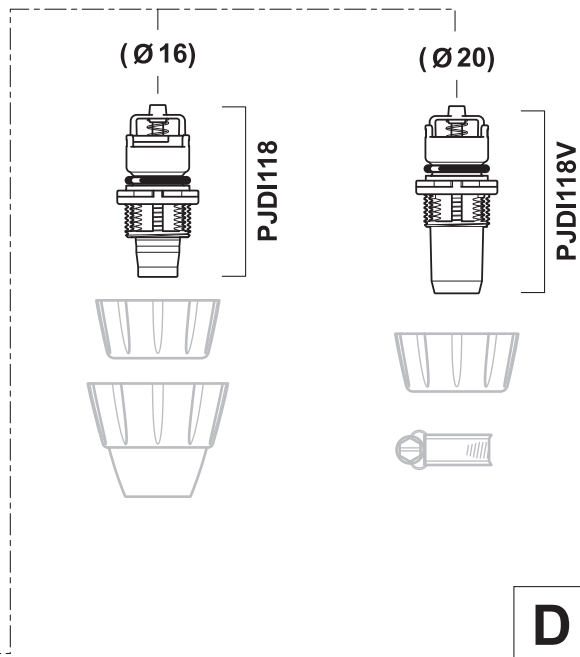
D

D3RE10

3 m³/h - 1 - 10%
 14 GPM - 1:100 - 1:10
 0.5 - 6 bar
 7 - 85 psi



Option "V"

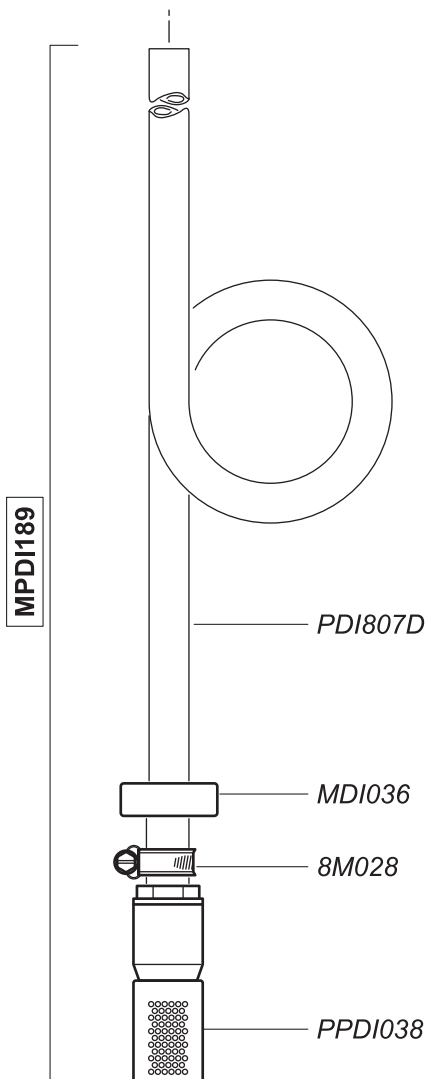


D3RE10

3 m³/h - 1 - 10%
 14 GPM - 1:100 - 1:10
 0.5 - 6 bar
 7 - 85 psi



(Ø16)



(Ø20)

Option "V"

